



# Aritco 4000

- our most compact home lift

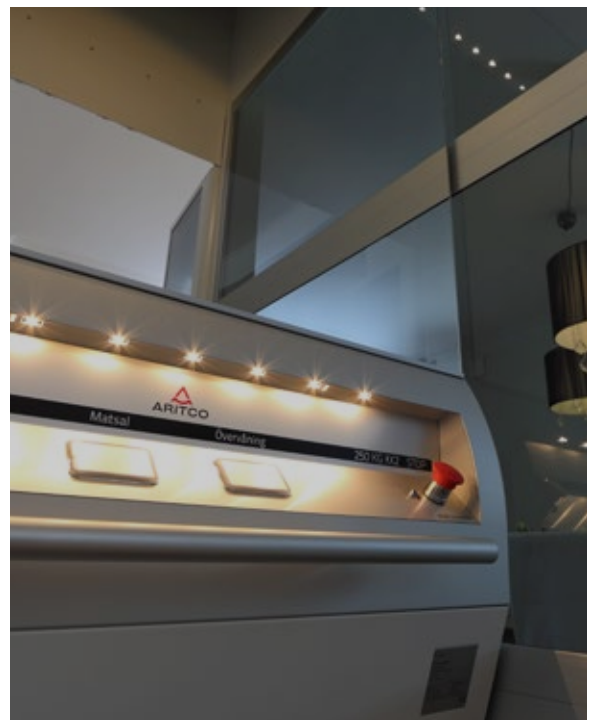
## Aritco 4000

The lift has been designed to meet all requirements for comfort, space and design. The lift is available in different sizes, with an option to personalise it with details such as glass walls, a range of varied colours and different materials.

### Several advantages offered by Aritco 4000:

- Design, sizes and options created for a home environment
- Minimum interventions in the house
- 'A' rated energy consumption according to VDI4707
- 95% recyclable materials
- Environmental classification by the Swedish Sunda Hus organization
- Patented screw/nut technology (no oil that can leak)
- The lowest maintenance and operating costs on the market

For more information please visit [aritcohomelifts.com/4000](http://aritcohomelifts.com/4000)



Aritco certified partner



Lift Construct bvba  
Lange Lobroekstraat 183  
2060 Antwerp, Belgium

T: +32 3 226 12 72  
E: [info@liftconstruct.be](mailto:info@liftconstruct.be)  
[www.liftconstruct.be](http://www.liftconstruct.be)

# Aritco 4000

## LIFT COLOUR

Can be painted in any RAL colour from the RAL Classic chart.

## FLOOR

9 different floorings to choose from.



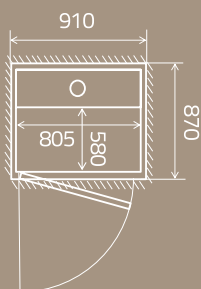
## GLASS

4 different glass types to choose from.



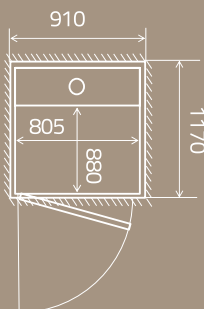
## DOORS

2 different door types to choose from.



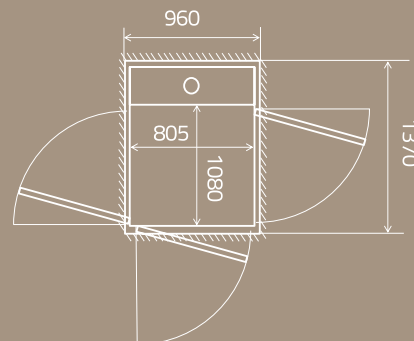
**Size: 580 x 805 mm**

Rated load: 250 kg / 2 persons



**Size: 880 x 805 mm**


Rated load: 250 kg / 2 persons



**Size: 1080 x 805 mm**

Rated load: 250 kg / 2 persons

## Product summary

<p><b>TOP HEIGHT</b></p> <p><b>2300 mm</b></p>	<p><b>TYPE OF LIFT</b></p> <p>Home lift intended for installation in private homes.</p>	 <p><b>RATED SPEED</b></p> <p>Max <b>0,15 m/s</b></p>	 <p><b>DRIVE SYSTEM</b></p> <p>Patented screw and nut system</p> <p>1.5 kW motor</p>	<p><b>CONTROL FROM CARRIER CONTROL PANEL</b></p> <p><b>Hold to run</b> - press and hold</p> <p><b>For installations outside Europe</b> - One touch operation (press one time)</p>	<p><b>NUMBER OF FLOORS</b></p>  <p>2 to 6 floors</p>
<p><b>INSTALLATION</b></p> <p><b>Recessed installation</b> 50 mm below floor</p> <p><b>Installed directly on floor</b> with 50 mm ramp</p>	<p><b>INDOOR</b></p> <p>INSTALLATION ENVIRONMENT</p>	<p><b>TRAVEL HEIGHT</b></p> <p><b>250–13 000 millimeter</b></p>	<p><b>WARRANTY</b></p> <p>Aritco 4000 comes with a 24 month warranty. The screw and nut assembly has a 10 year warranty.</p>	<p><b>TECHNICAL COMPLIANCE</b></p> <p>European Machine directive 2006/42/EC</p> <p>European standard EN 81-41</p>	
<p><b>Power supply</b></p> <p>230 V 1-phase</p>	<p><i>Emergency lowering: Battery-powered</i></p>				